



**NEFELE**

**EREBUS** PLUS

**SINOPE** PLUS

**LA RUE** MAN

**RHEA** MAN

**B-TOWN**

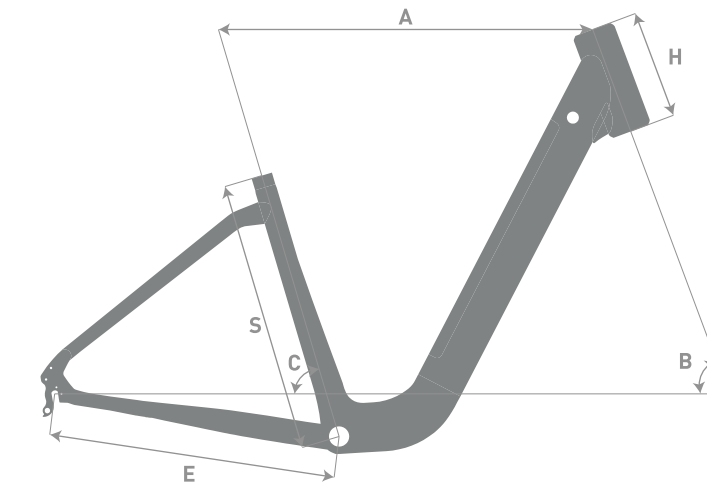


# NEFELE



# NEFELE

## GEOMETRY



SIZE	26"	28"
S	400	450
A	613	619
B	70°	68,5°
C	74,5°	73,5°
E	435	475
H	180	180

## TECHNICAL DETAILS

### TELAIO // FRAME

Mbm Alloy 6061 26"/28" Hydroformed

### FORCELLA // FORK

MBM susp fork tapered stanchions Ø 28.6mm

### GUARNITURA // CRANK SET

38\*170 black matt alloy

### CAMBIO POSTERIORE // REAR DERAILLEUR

Shimano Acera M3020

### COMANDO // SHIFTER

Shimano M315 7 speed

### FRENI // BRAKES

Shimano MT 200 hydraulic

### RUOTA LIBERA // FREE WHEEL

Shimano Tz 500 14/34 megarange 7 speed

### CERCHI // RIMS

Malvestiti Passion alloy double wall 28"

### GOMME // TYRES

28\*1.75 brown reflex line

### SELLA // SADDLE

Selle SMP

### MOTORE // MOTOR

Etrotek rear hub 36V, 250W, max torque 45Nm

### BATTERIA // BATTERY

Ant Power with LG cells 36V, 15Ah, 540 Wh

### VELOCITA' MAX. ASSISTENZA // MAX ASSISTED SPEED

25 Km/h

### DISPLAY

LCD

### LIVELLI DI POTENZA // POWER LEVELS

5 Levels

## MOTOR & BATTERY



ETROTEK



15 Ah, 540 Wh



45Nm



5 levels



TURQUOISE CANDY ON DEMAND



# NEFELE

## FRAME DETAILS

INTEGRATED BATTERY  
WITH PAINTED ALLOY COVER



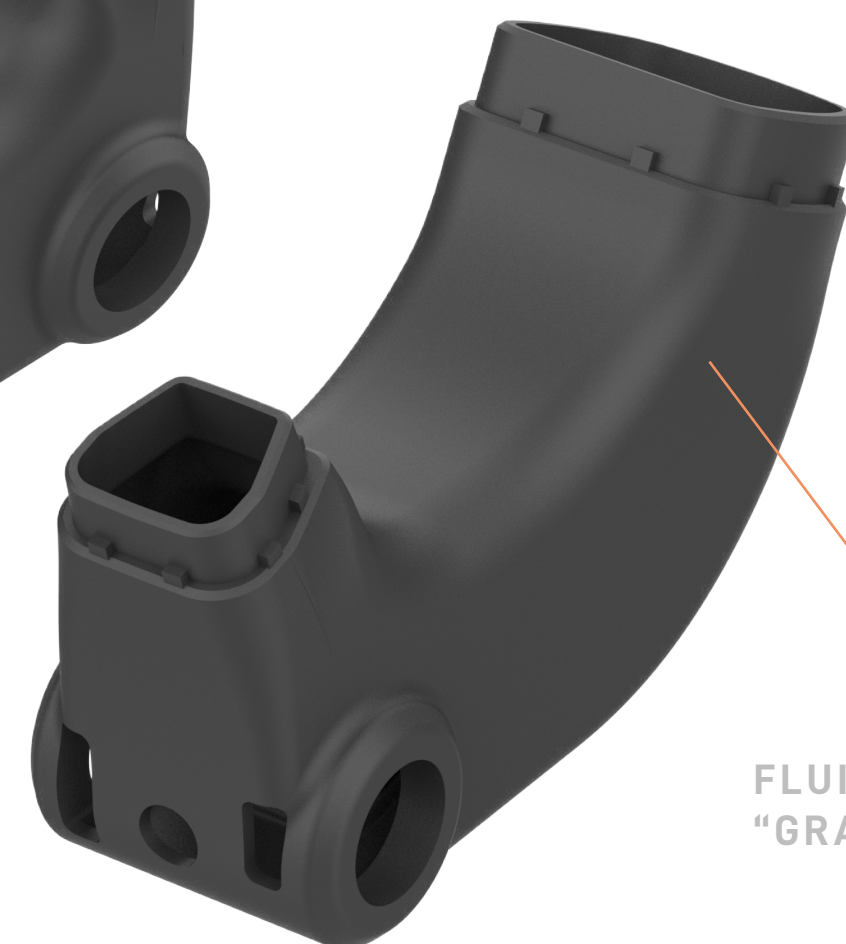
FORGED ALLOY COVER  
EASY CONTROLLER ASSEMBLING



CHARGING PORT

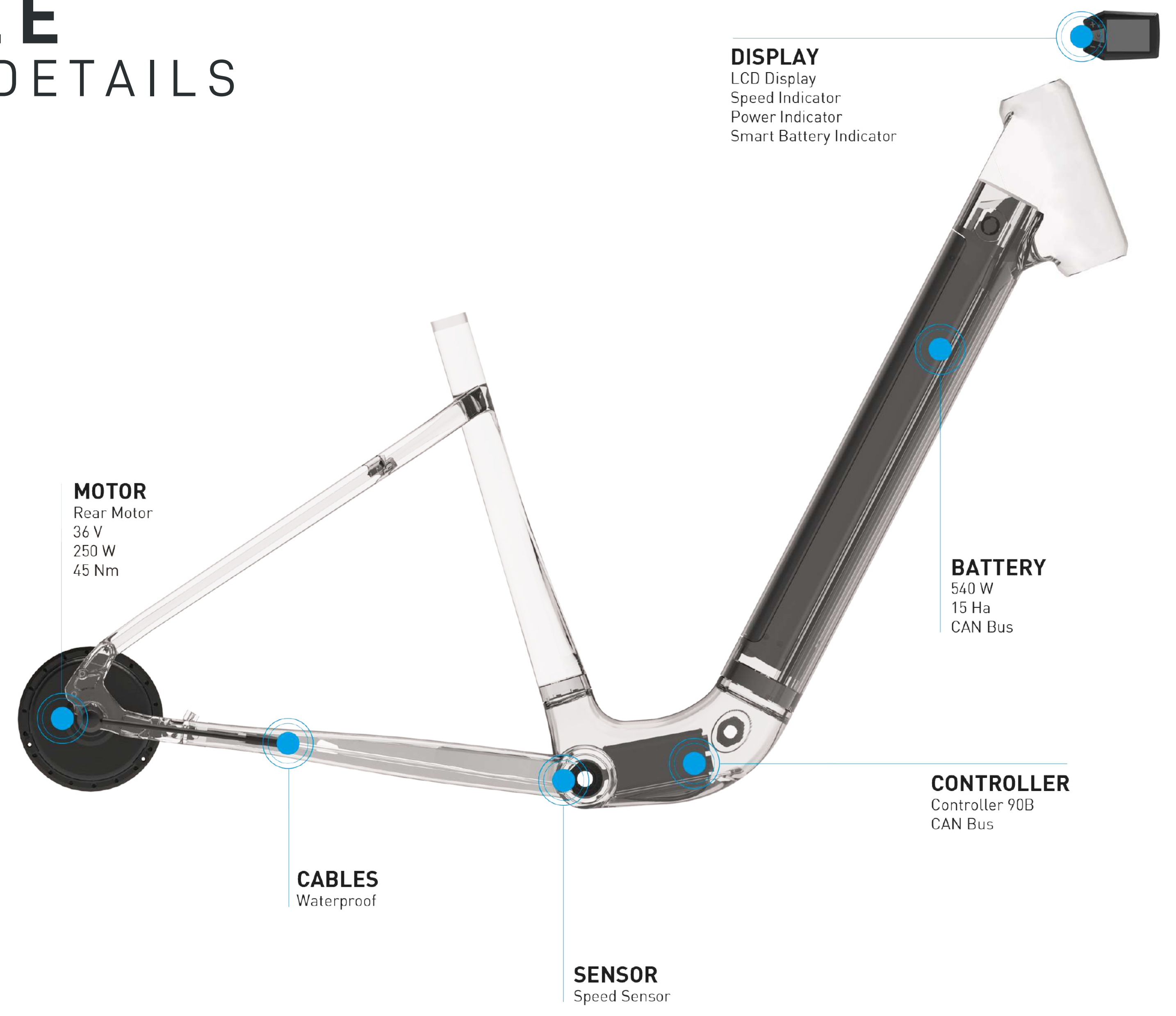


FLUID DIE-CASTING BB  
"GRAVITY" SYSTEM CONNECTION



# NEFELE

## SYSTEM DETAILS



**MOTOR**  
Rear Motor  
36 V  
250 W  
45 Nm

**CABLES**  
Waterproof

**SENSOR**  
Speed Sensor

**DISPLAY**  
LCD Display  
Speed Indicator  
Power Indicator  
Smart Battery Indicator

**BATTERY**  
540 W  
15 Ha  
CAN Bus

**CONTROLLER**  
Controller 90B  
CAN Bus





# EREBUS PLUS





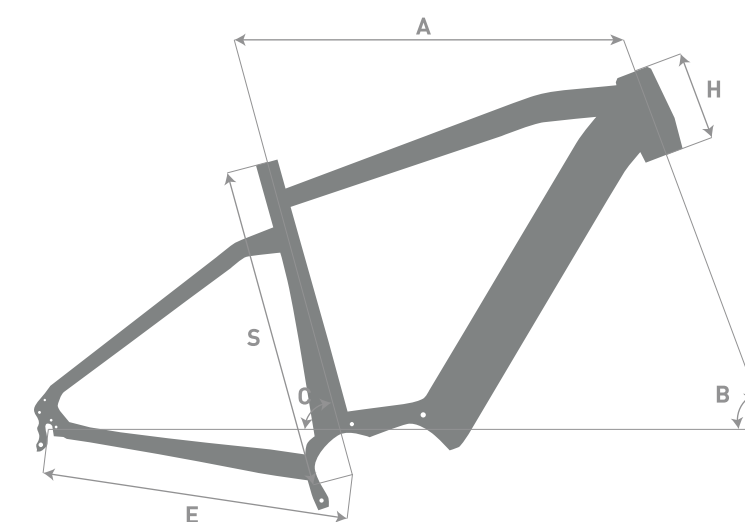
# EREBUS PLUS

E-BIKES PREVIEW 2025



MATT DEEP BLUE MATT BLACK

## GEOMETRY



SIZE	M	L
S	500	550
A	614	630
B	69°	69°
C	74,5°	74,5°
E	480	480
H	140	160

## TECHNICAL DETAILS

### TELAIO // FRAME

Mbm Alloy 6061 28" Hydroformed

### FORCELLA // FORK

Suntour SF19 NEX E25

### GUARNITURA // CRANK SET

FSA Dyna Drive 170\*38T

### CAMBIO POSTERIORE // REAR DERAILLEUR

Shimano M5120 SGS 10 speed

### COMANDO // SHIFTER

Shimano M4100 10 speed

### FRENI // BRAKES

Shimano MT 200 hydraulic

### RUOTA LIBERA // FREE WHEEL

Shimano M5120 11/42 10 speed

### CERCHI // RIMS

Malvestiti Passion alloy double wall 28"

### GOMME // TYRES

Schwalbe Big Ben 28\*2.00 puncture protection

### SELLA // SADDLE

Selle Bassano Volare Icon Pro

### MOTORE // MOTOR

Oli Sport Plus 85Nm

### BATTERIA // BATTERY

Phyllion BN-21L integrated 36V, 14.5Ah, 522Wh

### VELOCITA' MAX. ASSISTENZA // MAX ASSISTED SPEED

25 Km/h

### DISPLAY

Color LCD

### LIVELLI DI POTENZA // POWER LEVELS

5 Levels

## MOTOR & BATTERY



14.5 Ah, 522 Wh

85Nm

5 levels



# EREBUS PLUS

HYDROFORMED TUBING



INTEGRATED BATTERY  
WITH PAINTED ALLOY COVER

OLI SPORT MOTOR PLATE  
"GRAVITY" SYSTEM CONNECTION

CHARGING PORT



# SINOPE PLUS

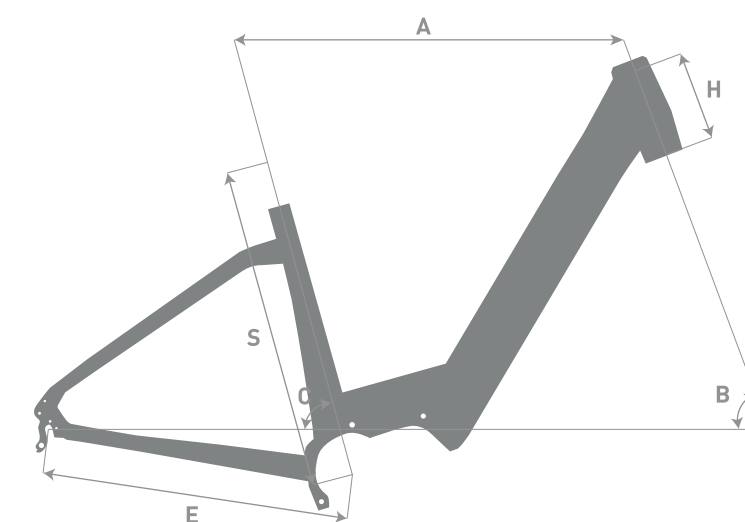


# SINOPE PLUS



MATT BORDEAUX MATT BLACK

## GEOMETRY



SIZE	S	M
S	430	480
A	612	625
B	69°	69°
C	74,5°	74,5°
E	480	480
H	160	160

## TECHNICAL DETAILS

### TELAIO // FRAME

Mbm Alloy 6061 28" Hydroformed

### FORCELLA // FORK

Suntour SF19 NEX E25

### GUARNITURA // CRANK SET

FSA Dyna Drive 170\*38T

### CAMBIO POSTERIORE // REAR DERAILLEUR

Shimano M5120 SGS 10 speed

### COMANDO // SHIFTER

Shimano M4100 10 speed

### FRENI // BRAKES

Shimano MT 200 hydraulic

### RUOTA LIBERA // FREE WHEEL

Shimano M5120 11/42 10 speed

### CERCHI // RIMS

Malvestiti Passion alloy double wall 28"

### GOMME // TYRES

Schwalbe Big Ben 28\*2.00 puncture protection

### SELLA // SADDLE

Selle Bassano Volare Icon Pro

### MOTORE // MOTOR

Oli Sport Plus 85Nm

### BATTERIA // BATTERY

Phyllion BN-21L integrated 36V, 14.5Ah, 522Wh

### VELOCITA' MAX. ASSISTENZA // MAX ASSISTED SPEED

25 Km/h

### DISPLAY

Color LCD

### LIVELLI DI POTENZA // POWER LEVELS

5 Levels

## MOTOR & BATTERY



85Nm

14.5 Ah, 522 Wh

5 levels





# LA RUE MAN



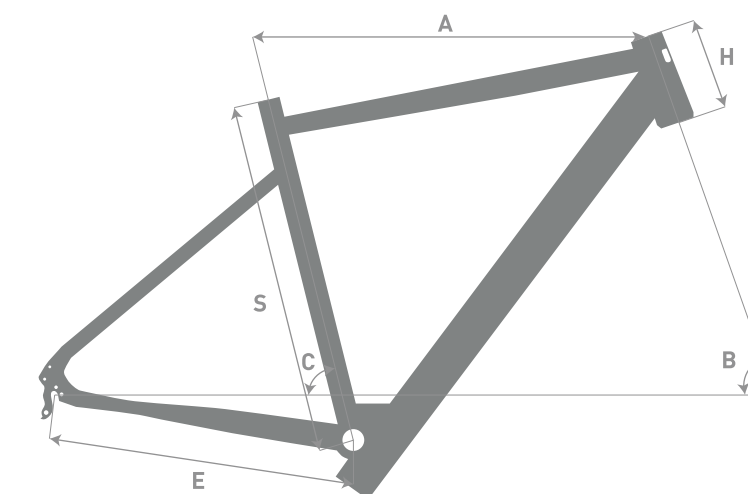
# LA RUE MAN

E-BIKES PREVIEW 2025



MATT GREY MATT BLACK

## GEOMETRY



SIZE	S	M	L
S	500	540	580
A	605	605	620
B	70,5°	70,5°	70,5°
C	76°	76°	76°
E	465	465	465
H	120	140	160

## TECHNICAL DETAILS

### TELAIO // FRAME

Mbm Alloy 6061 28" Hydroformed

### FORCELLA // FORK

MBM hi-ten steel

### GUARNITURA // CRANK SET

170\*38T

### CAMBIO POSTERIORE // REAR DERAILLEUR

Shimano Acera

### COMANDO // SHIFTER

Shimano TX50 7 speed

### FRENI // BRAKES

Promax DSK300 mechanical

### RUOTA LIBERA // FREE WHEEL

Shimano TZ500 14/34 7 speed

### CERCHI // RIMS

Malvestiti alloy double wall 28"

### GOMME // TYRES

28\*1.75 brown reflex line

### SELLA // SADDLE

Selle Bassano Caffè Racer Ergofit

### MOTORE // MOTOR

Etrotek rear hub 36V, 250W, max torque 45Nm

### BATTERIA // BATTERY

Ant Power 36V, 10.5Ah, 378Wh

### VELOCITA' MAX. ASSISTENZA // MAX ASSISTED SPEED

25 Km/h

### DISPLAY

LED

### LIVELLI DI POTENZA // POWER LEVELS

5 Levels

## MOTOR & BATTERY



ETROTEK



10.5 Ah, 378 Wh



45Nm



5 levels







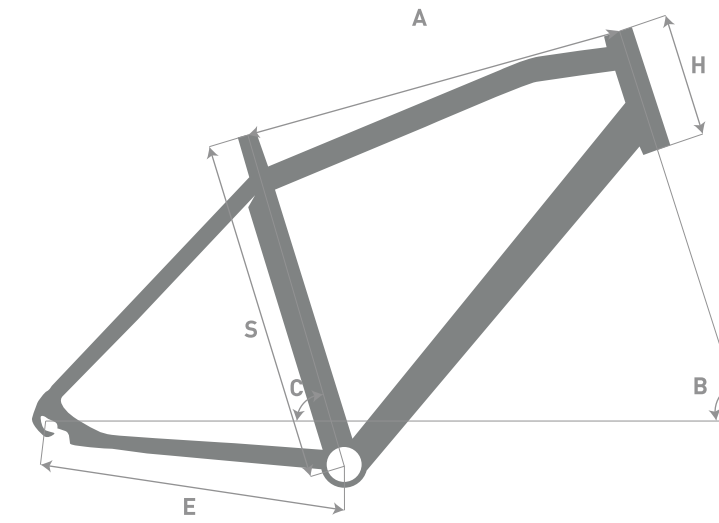
# RHEA MAN



# RHEA MAN



## GEOMETRY



SIZE	M	L
S	500	550
A	585	624
B	71°	71°
C	73°	73°
E	475	475
H	180	200

## TECHNICAL DETAILS

**TELAIO // FRAME**  
Mbm Alloy 6061 28" Hydroformed

**FORCELLA // FORK**  
Zoom 187 AMS

**GUARNITURA // CRANK SET**  
170\*42 black alloy

**CAMBIO POSTERIORE // REAR DERAILLEUR**  
Shimano TY300

**COMANDO // SHIFTER**  
Shimano Revo Rs 36

**FRENI // BRAKES**  
Black alloy v-brake

**RUOTA LIBERA // FREE WHEEL**  
Shimano TZ500-6

**CERCHI // RIMS**  
Black alloy double wall 28"

**GOMME // TYRES**  
28\*1.75 Black reflex line

**SELLA // SADDLE**  
Selle Bassano Prozone

**MOTORE // MOTOR**  
H300 Bafang rear hub 32Nm

**BATTERIA // BATTERY**  
Phylion Wall-ES-P, 37V, 14Ah, 518Wh

**VELOCITA' MAX. ASSISTENZA // MAX ASSISTED SPEED**  
25 Km/h

**DISPLAY**  
LED

**LIVELLI DI POTENZA // POWER LEVELS**  
5 Levels

## MOTOR & BATTERY



# RHEA MAN



SPRING FOR EASY STEERING

INTERNAL ROUTING





RHEA

RHEA

RHEA

mbm

mbm

mbm

VIRTUAL

VIRTUAL

# B-TOWN



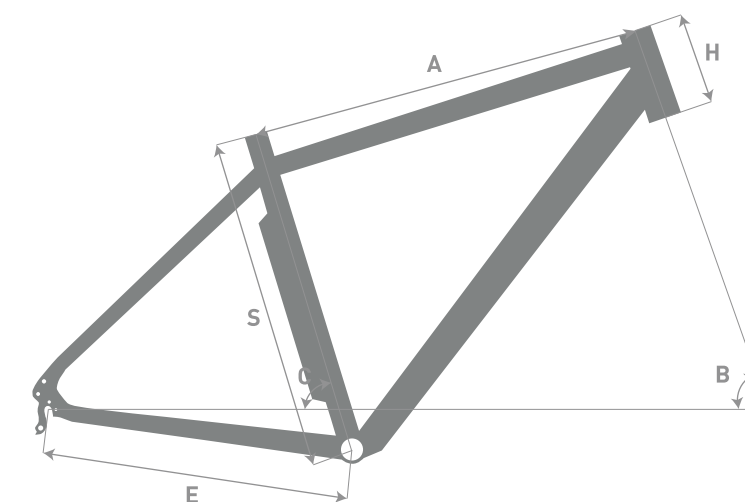
# B-TOWN MAN

E-BIKES PREVIEW 2025



MATT BLACK

## GEOMETRY



SIZE	28"
S	500
A	596
B	71°
C	73°
E	480
H	140

## TECHNICAL DETAILS

**TELAIO // FRAME**  
Mbm Alloy 6061 28" Hydroformed

**FORCELLA // FORK**  
Zoom HL Corp M141

**GUARNITURA // CRANK SET**  
170\*42 black alloy

**CAMBIO POSTERIORE // REAR DERAILLEUR**  
Shimano Acera M30208 7 speed

**COMANDO // SHIFTER**  
Shimano TX 7 speed

**FRENI // BRAKES**  
Black alloy v-brake

**RUOTA LIBERA // FREE WHEEL**  
Shimano TZ500 7 speed

**CERCHI // RIMS**  
Malvestiti alloy double wall 28"

**GOMME // TYRES**  
28\*1.75 black reflex line

**SELLA // SADDLE**  
Selle SMP Ipo

**MOTORE // MOTOR**  
Bafang rear hub 45Nm

**BATTERIA // BATTERY**  
Phylion Wall-ES-P, 37V, 14Ah, 518Wh

**VELOCITA' MAX. ASSISTENZA // MAX ASSISTED SPEED**  
25 Km/h

**DISPLAY**  
LCD

**LIVELLI DI POTENZA // POWER LEVELS**  
5 Levels

## MOTOR & BATTERY



BAFANG®

14 Ah, 518 Wh

45Nm

5 levels



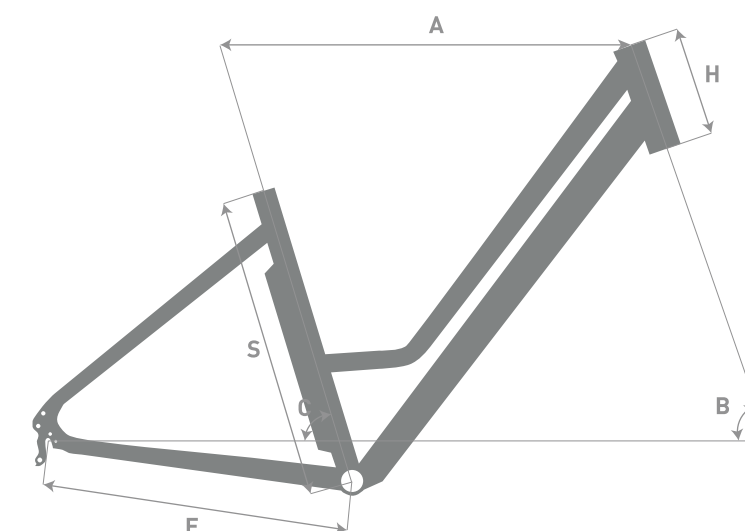
# B-TOWN

## LADY



MATT BLACK

### GEOMETRY



SIZE	26"	28"
S	430	460
A	611	622
B	71°	71°
C	73°	73°
E	450	480
H	165	165

### TECHNICAL DETAILS

#### TELAIO // FRAME

Mbm Alloy 6061 28" Hydroformed

#### FORCELLA // FORK

Zoom HL Corp M141

#### GUARNITURA // CRANK SET

170\*42 black alloy

#### CAMBIO POSTERIORE // REAR DERAILLEUR

Shimano Acera M30208 7 speed

#### COMANDO // SHIFTER

Shimano TX 7 speed

#### FRENI // BRAKES

Black alloy v-brake

#### RUOTA LIBERA // FREE WHEEL

Shimano TZ500 7 speed

#### CERCHI // RIMS

Malvestiti alloy double wall 28"

#### GOMME // TYRES

28\*1.75 / 26\*2.00 black reflex line

#### SELLA // SADDLE

Selle SMP Ipo

#### MOTORE // MOTOR

Bafang rear hub 45Nm

#### BATTERIA // BATTERY

Phylion Wall-ES-P, 37V, 14Ah, 518Wh

#### VELOCITA' MAX. ASSISTENZA // MAX ASSISTED SPEED

25 Km/h

#### DISPLAY

LCD

#### LIVELLI DI POTENZA // POWER LEVELS

5 Levels

### MOTOR & BATTERY



BAFANG®



14 Ah, 518 Wh



45Nm



5 levels







# **D R I F T** 26" **S L O P E**



# D R I F T 26"

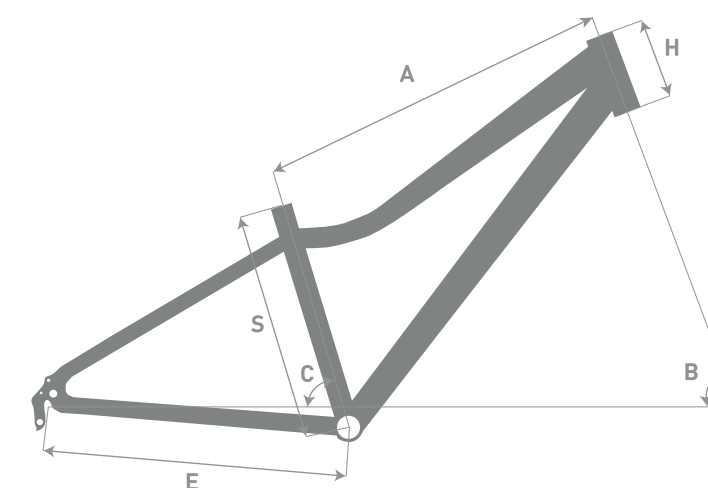


# DRIFT

## 26"



### GEOMETRY



SIZE	26"
S	340
A	530
B	69,5°
C	73°
E	445
H	120

### TECHNICAL DETAILS

#### TELAIO // FRAME

Mbm Steel 26"

#### FORCELLA // FORK

Mbm suspension fork stanchions  $\varnothing$  28.6mm

#### GUARNITURA // CRANK SET

160\*32T black alloy

#### CAMBIO POSTERIORE // REAR DERAILLEUR

Shimano TY21 6 speed

#### COMANDO // SHIFTER

Shimano Revo 6 speed

#### FRENI // BRAKES

Black Alloy

#### RUOTA LIBERA // FREE WHEEL

Shimano TZ500 6 speed

#### CERCHI // RIMS

Black alloy 26"

#### SELLA // SADDLE

Selle Bassano Drift





# SLOPE



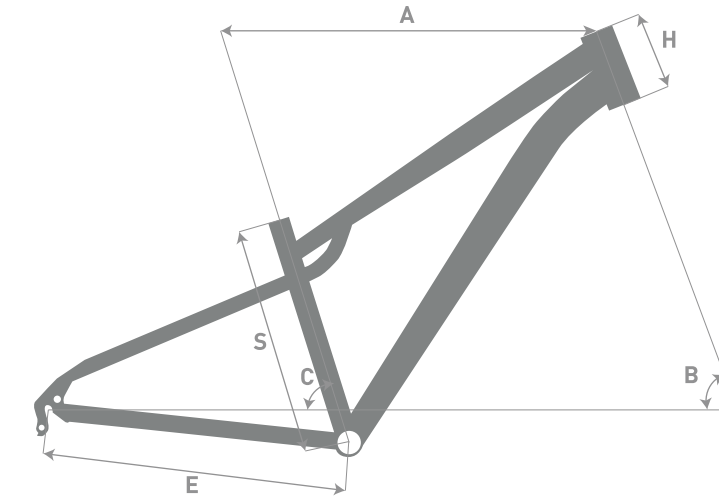
# SLOPE

## 27.5"



RED+WHITE    GREEN+BLACK    WHITE+TURQUOISE

### GEOMETRY



SIZE	27.5"
S	343
A	555
B	68,5°
C	72,5°
E	445
H	115

### TECHNICAL DETAILS

**TELAIO // FRAME**  
Mbm Alloy 6061 27.5"

**FORCELLA // FORK**  
Mbm suspension fork stanchions  $\varnothing$  32mm

**GUARNITURA // CRANK SET**  
160\*32T black alloy

**CAMBIO POSTERIORE // REAR DERAILLEUR**  
Shimano Acera 8 speed

**COMANDO // SHIFTER**  
Shimano M315 8 speed

**FRENI // BRAKES**  
Shimano MT200

**RUOTA LIBERA // FREE WHEEL**  
Shimano HG200 8 speed

**CERCHI // RIMS**  
Malvestiti Passion 27.5"

**SELLA // SADDLE**  
Selle Bassano Reko Slope





FOLLOW US



WWW.MBMBIKE.IT

**M.B.M. Srl**

Via Emilia Levante, 1671/73/75 | 47521 Cesena (FC)

**Tel.:** +39 0547-300364

**Fax:** +39 0547-304326

**Email:** info@mbmbike.it

